
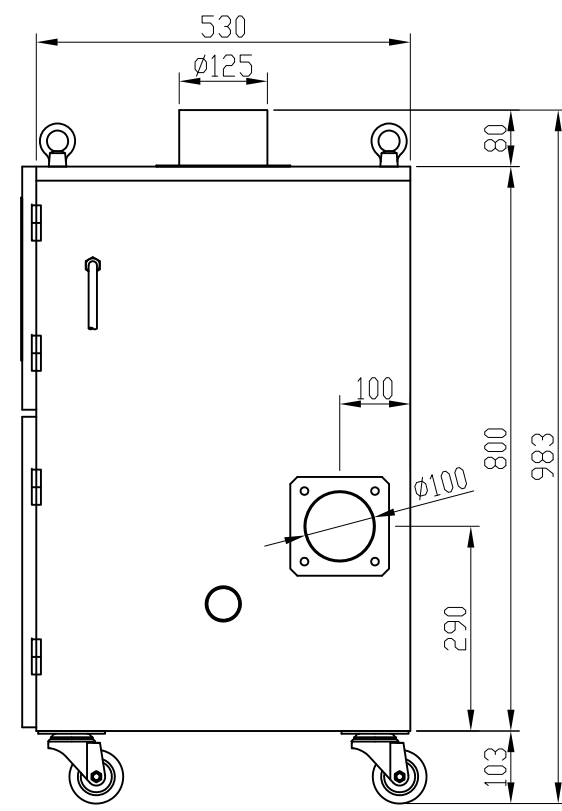
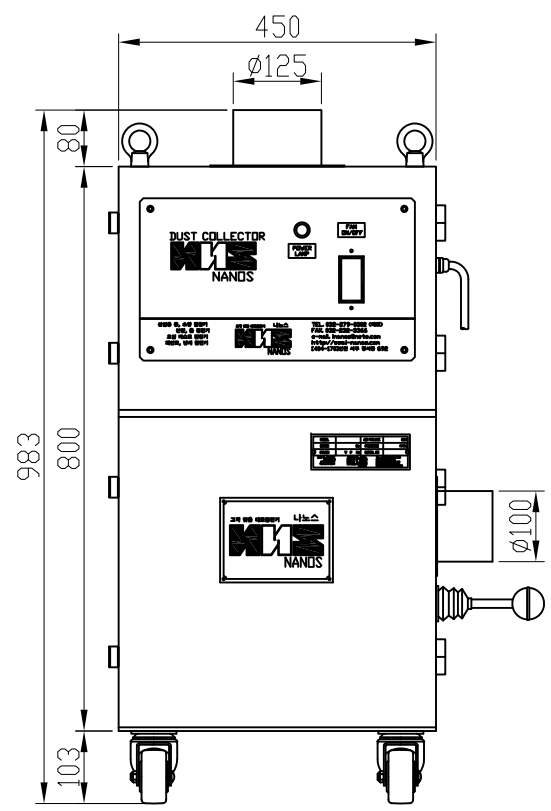
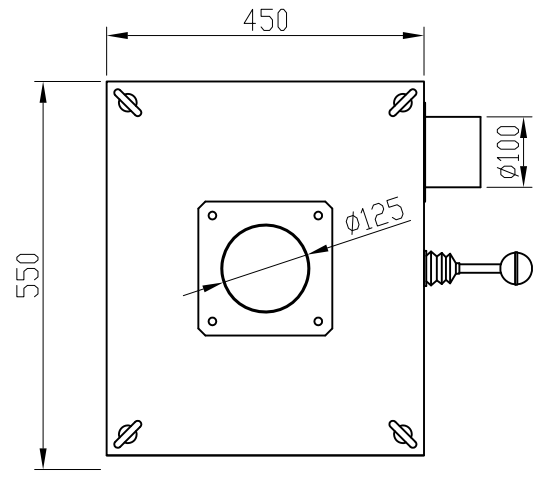


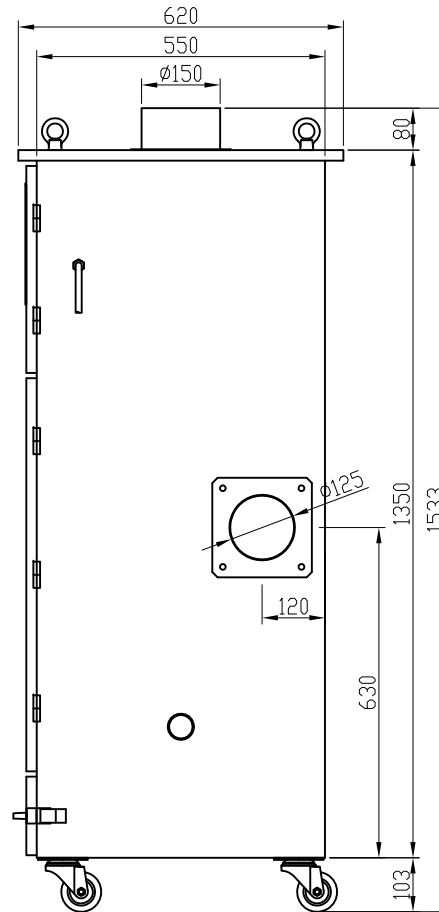
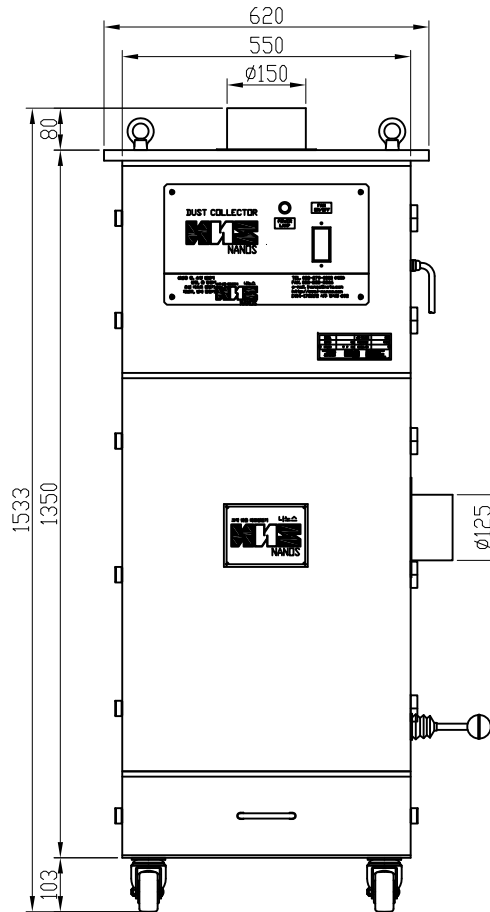
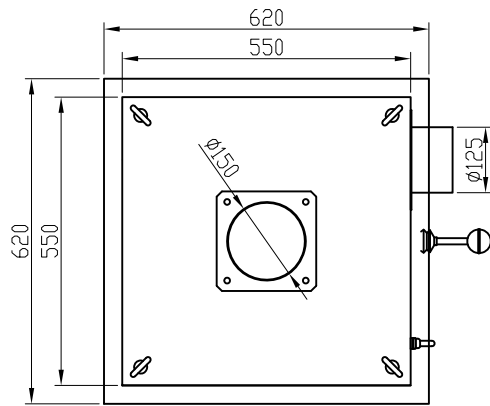
1	CABINET	1	450 x 530 x 80 x 1.6t
2	TURBO BLOWER	1	0.75kw x 7CMM x 200mmAq
3	BAG FILTER	1	420 x 200 x 7P
4	DUST BOX	1	10 LITER
5	OUTLET FLANGE	1	Ø100
6	LIFT LUG	4	I-NUT M12
7	CONTROL PANEL	1	CONTROL SWITCH
8	POWER CABLE	1	V.C.T.F CABLE
9	OUTLET FLANGE	1	Ø125
10	SHAKING ARM	1	Ø35 HANDLE
11	CASTER	4	ROTATION 3° STOPPER

SPECIFICATION			
MODEL NAME	NB-5	OPTION	-
FAN SPEC.			
FAN DIVISION	TURBO BLOWER		
AIR VOLUME	7 CMM	STATIC	200 mmAq
MOTOR	0.75 kw [ 1 HP ]	POWER	380V x 3P
FILTER SPEC.			
1ST	BAG FILTER	MATERIAL	POLYESTER
	SIZE	420 x 200 x 7P	AREA

\*\*\* PAINT COLOR \*\*\*  
 BODY : EX8816(S) 5Y 7/1  
 DOOR : EX8816-DIC546 1/2

 고객맞춤 대표 장비기 www.j-nanos.co.kr	SIZE	A3	CUSTOMER	-
	SCALE	1 / 1	TITLE	BAG FILTER DUST COLLECTOR
	DRAWN	APPROVED	NANOS DWG. NO.	NB-5
	B.B.M	-		
12.10.09	-			





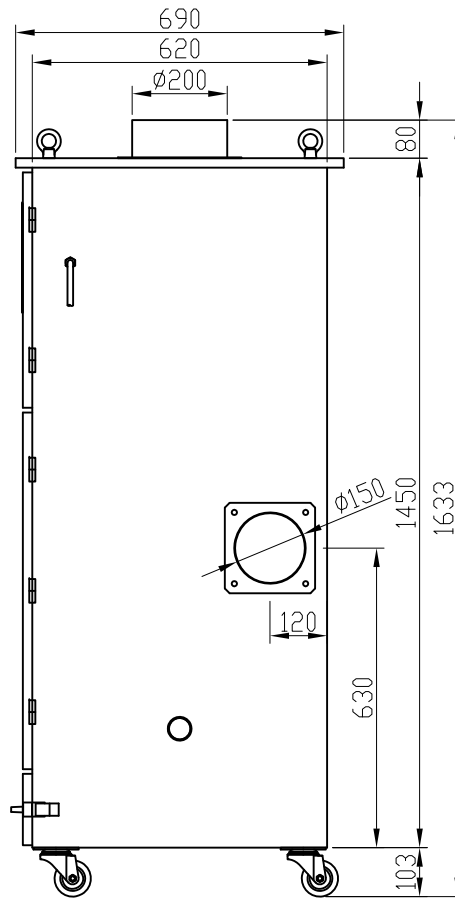
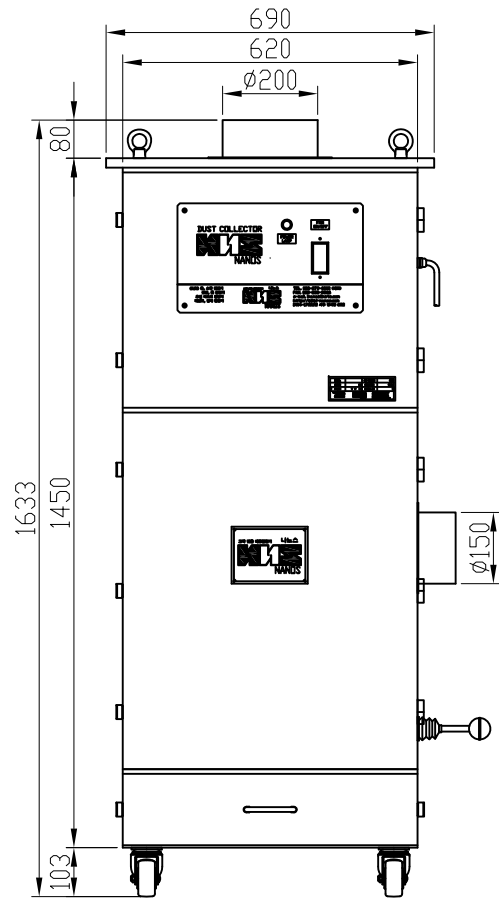
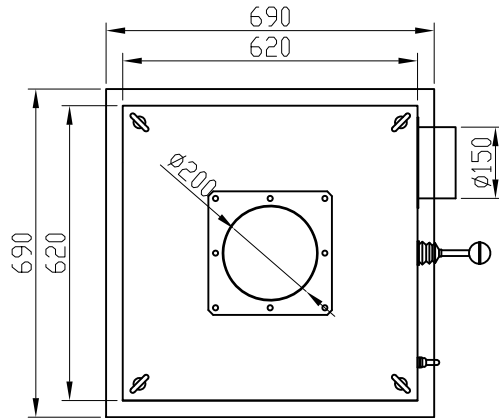
1	CABINET	1	550 x 550 x 1350 x 1.6t
2	TURBO BLOWER	1	0.75 kw x 12CMM x 200mmAq
3	BAFFLE PLATE	2	PUNCHING PLATE 1.6t
4	BAG FILTER	1	420 x 600 x 7P
5	OUTLET FLANGE	1	Ø150
6	LIFT LUG	4	I-NUT M12
7	CONTROL PANEL	1	CONTROL SWITCH
8	POWER CABLE	1	V.C.T.F CABLE
9	INLET FLANGE	1	Ø125
10	SHAKING HANDLE	1	PBI Ø40 x M10
11	DUST BOX	1	13.6 LITER
12	CASTER	4	ROTATION 3° STOPPER

\*\*\* CHECK POINTS \*\*\*  
A. ---

SPECIFICATION			
MODEL NAME	NB-10	OPTION	-
FAN SPEC.			
FAN DIVISION	TURBO BLOWER		
AIR VOLUME	12 CMM	STATIC	200 mmAq
MOTOR	0.75 kw [ 1 HP ]	POWER	380V x 3P
FILTER SPEC.			
1ST	BAG FILTER	MATERIAL	POLYESTER
	SIZE	420 x 600 x 7P	AREA

\*\*\* PAINT COLOR \*\*\*  
BODY : EX8816(S) 5Y 7/1  
DOOR : EX8816-DIC546 1/2

 고객맞춤 대표 장비기 www1-nanos.co.kr	SIZE	A3	CUSTOMER	-
	SCALE	1 / 1	TITLE	BAG FILTER DUST COLLECTOR
	DRAWN	APPROVED	NANOS DWG. NO.	NB-10
	DATE	12.09.01		



1	CABINET	1	620 x 620 x 1450 x 1.6t
2	TURBO BLOWER	1	1.5 kw x 25CMM x 230mmAq
3	BAFFLE PLATE	2	PUNCHING PLATE 1.6t
4	BAG FILTER	2	420 x 600 x 7P
5	OUTLET FLANGE	1	Ø200
6	LIFT LUG	4	I-NUT M12
7	CONTROL PANEL	1	CONTROL SWITCH
8	POWER CABLE	1	V.C.T.F CABLE
9	INLET FLANGE	1	Ø150
10	SHAKING HANDLE	1	PBI Ø40 x M10
11	DUST BOX	1	17.9 LITER
12	CASTER	4	ROTATION 3" STOPPER

\*\*\* CHECK POINTS \*\*\*

A. ---

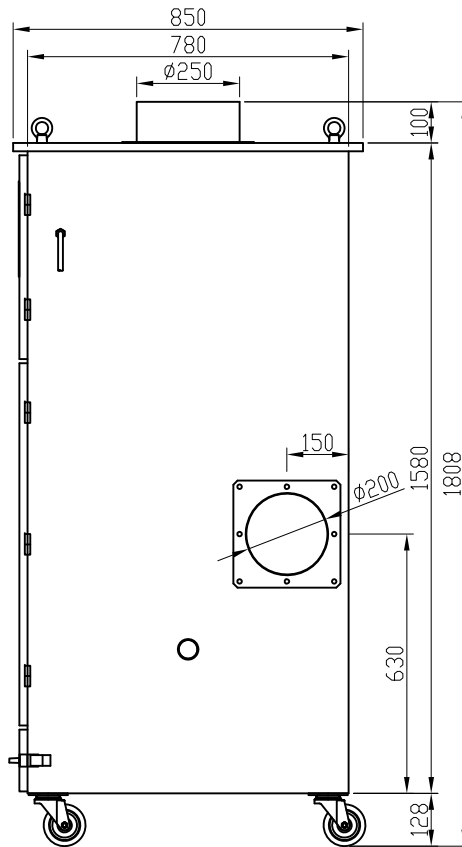
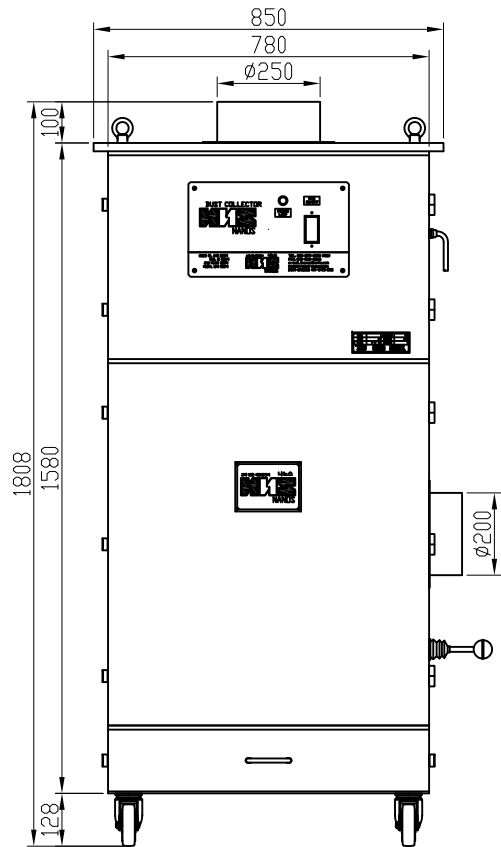
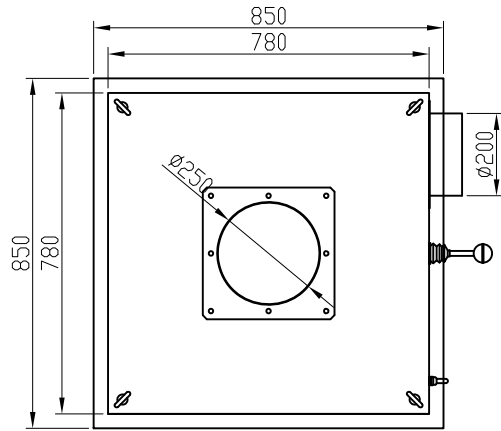
SPECIFICATION			
MODEL NAME	NB-20	OPTION	-
FAN SPEC.			
FAN DIVISION	TURBO BLOWER		
AIR VOLUME	25 CMM	STATIC	230 mmAq
MOTOR	1.5 kw [ 2 HP ]	POWER	380V x 3P
FILTER SPEC.			
1ST	BAG FILTER	MATERIAL	POLYESTER
	SIZE	420 x 600 x 7P x 2EA	AREA

\*\*\* PAINT COLOR \*\*\*

BODY : EX8816(S) 5Y 7/1

DOOR : EX8816-DIC546 1/2

 고객맞춤 대표 장비기 www-nanos.co.kr	SIZE	A3	CUSTOMER	-
	SCALE	1 / 1	TITLE	BAG FILTER DUST COLLECTOR
	DRAWN	APPROVED	NANOS DWG. NO.	NB-20
	BBM	-		
DATE	12.09.01			



1	CABINET	1	780 x 780 x 1600 x 1.6t
2	TURBO BLOWER	1	2.2 kw x 40CMM x 230mmAq
3	BAFFLE PLATE	2	PUNCHING PLATE 1.6t
4	BAG FILTER	3	630 x 635 x 5P
5	OUTLET FLANGE	1	φ250
6	LIFT LUG	4	I-NUT M12
7	CONTROL PANEL	1	CONTROL SWITCH
8	POWER CABLE	1	V.C.T.F CABLE
9	INLET FLANGE	1	φ200
10	SHAKING HANDLE	1	PBI φ40 x M10
11	DUST BOX	1	30 LITER
12	CASTER	4	ROTATION 4° STOPPER

\*\*\* CHECK POINTS \*\*\*

A. ---

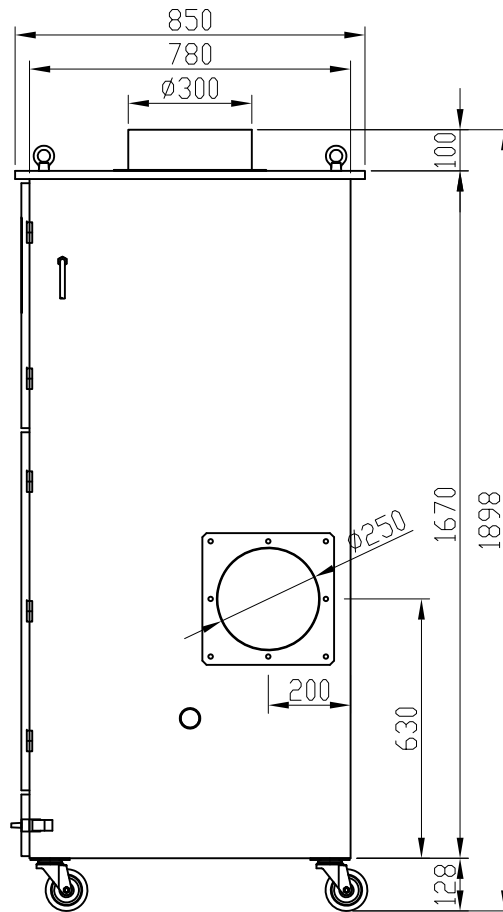
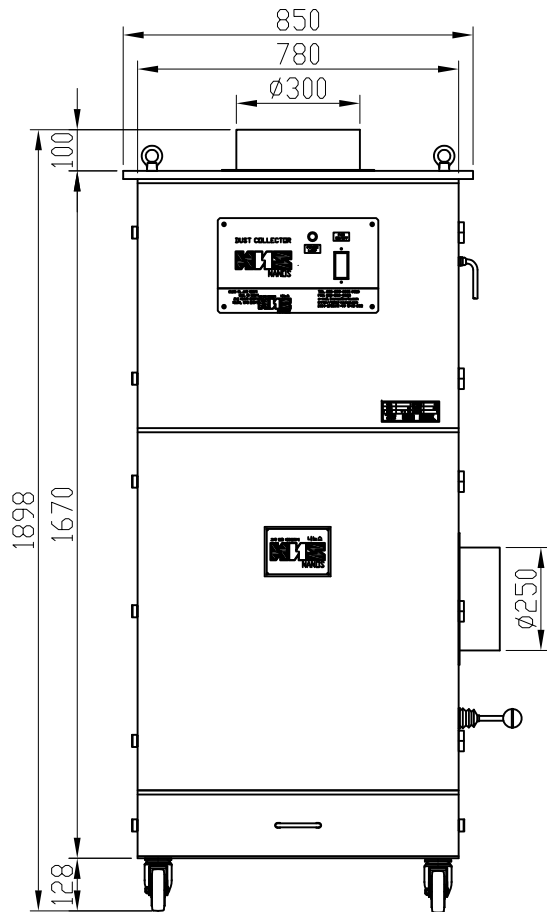
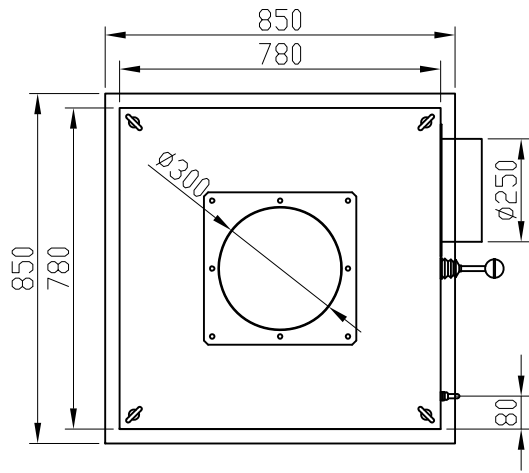
SPECIFICATION			
MODEL NAME	NB-30	OPTION	-
FAN SPEC.			
FAN DIVISION	TURBO BLOWER		
AIR VOLUME	40 CMM	STATIC	230 mmAq
MOTOR	2.2 kw [ 3 HP ]	POWER	380V x 3P
FILTER SPEC.			
1ST	BAG FILTER	MATERIAL	POLYESTER
	SIZE	630 x 635 x 5P x 3EA	AREA

\*\*\* PAINT COLOR \*\*\*

BODY : EX8816(S) 5Y 7/1

DOOR : EX8816-DIC546 1/2

 고객맞춤 대표 장비기 www.j-nanos.co.kr	SIZE	A3	CUSTOMER	-
	SCALE	1 / 1	TITLE	BAG FILTER DUST COLLECTOR
	DRAWN	APPROVED	NANOS DWG. NO.	NB-30
	DATE	12.09.01		



1	CABINET	1	780 x 780 x 1670 x 1.6t
2	TURBO BLOWER	1	3.7 kw x 60CMM x 250mmAq
3	BAFFLE PLATE	2	PUNCHING PLATE 1.6t
4	BAG FILTER	4	630 x 635 x 5P
5	OUTLET FLANGE	1	Ø300
6	LIFT LUG	4	I-NUT M12
7	CONTROL PANEL	1	CONTROL SWITCH
8	POWER CABLE	1	V.C.T.F CABLE
9	INLET FLANGE	1	Ø250
10	SHAKING HANDLE	1	PBI Ø40 x M10
11	DUST BOX	1	30 LITER
12	CASTER	4	ROTATION 4' STOPPER

\*\*\* CHECK POINTS \*\*\*

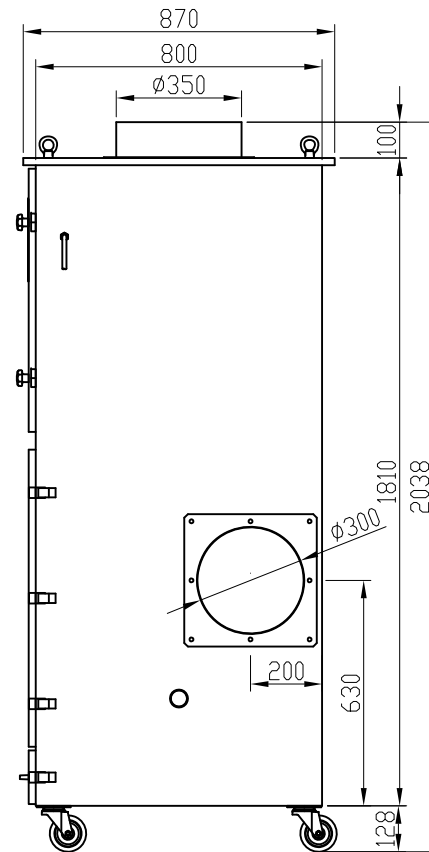
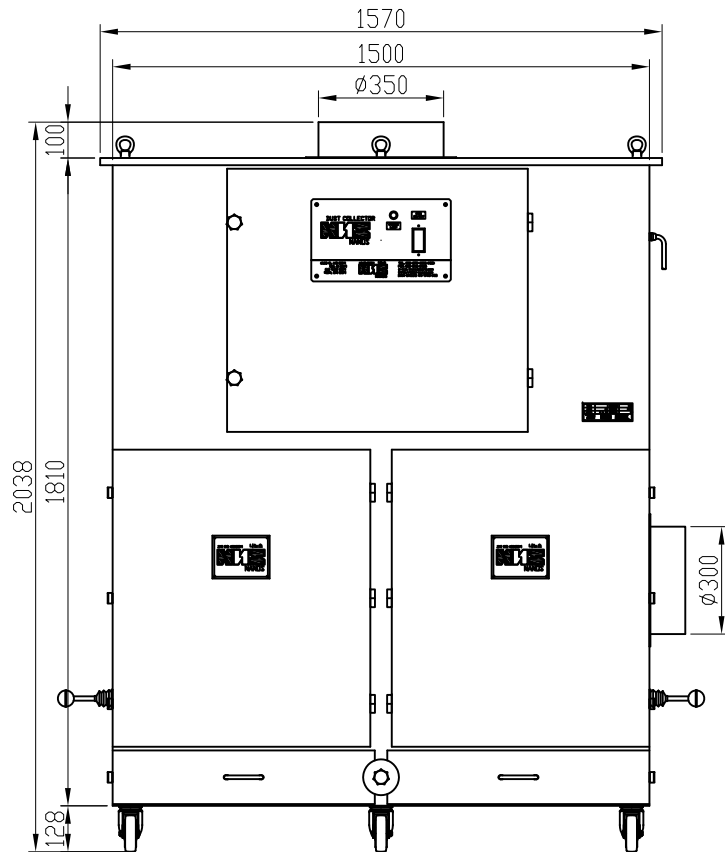
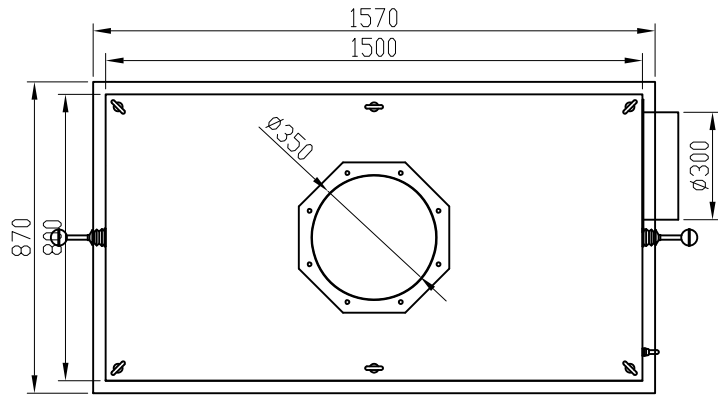
A. ---

SPECIFICATION			
MODEL NAME	NB-50	OPTION	-
FAN SPEC.			
FAN DIVISION	TURBO BLOWER		
AIR VOLUME	60 CMM	STATIC	250 mmAq
MOTOR	3.7 kw [ 5 HP ]	POWER	380V x 3P
FILTER SPEC.			
1ST	BAG FILTER	MATERIAL	POLYESTER
	SIZE	630 x 635 x 5P x 4EA	AREA

\*\*\* PAINT COLOR \*\*\*

BODY : EX8816(S) 5Y 7/1  
 DOOR : EX8816-DIC546 1/2

 고객맞춤 대표 장비기 www.nanos.co.kr	SIZE	A3	CUSTOMER	-
	SCALE	1 / 1	TITLE	BAG FILTER DUST COLLECTOR
	DRAWN	APPROVED	NANOS DWG. NO.	NB-50
	B.B.M	-		
12.09.01	-			



1	CABINET	1	1500 x 800 x 1810 x 2.3t
2	TURBO BLOWER	1	5.5 kw x 80CMM x 250mmAq
3	BAFFLE PLATE	2	PUNCHING PLATE 1.6t
4	BAG FILTER	6	630 x 635 x 5P
5	OUTLET FLANGE	1	ø350
6	LIFT LUG	6	I-NUT M12
7	CONTROL PANEL	1	CONTROL SWITCH
8	POWER CABLE	1	V.C.T.F CABLE
9	INLET FLANGE	1	ø300
10	SHAKING HANDLE	2	PBI ø40 x M10
11	DUST BOX	1	57.4 LITER
12	CASTER	6	ROTATION 4' STOPPER

\*\*\* CHECK POINTS \*\*\*

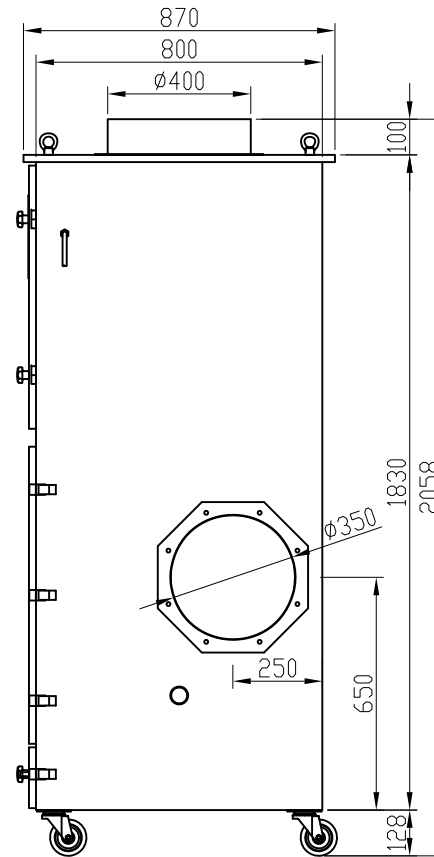
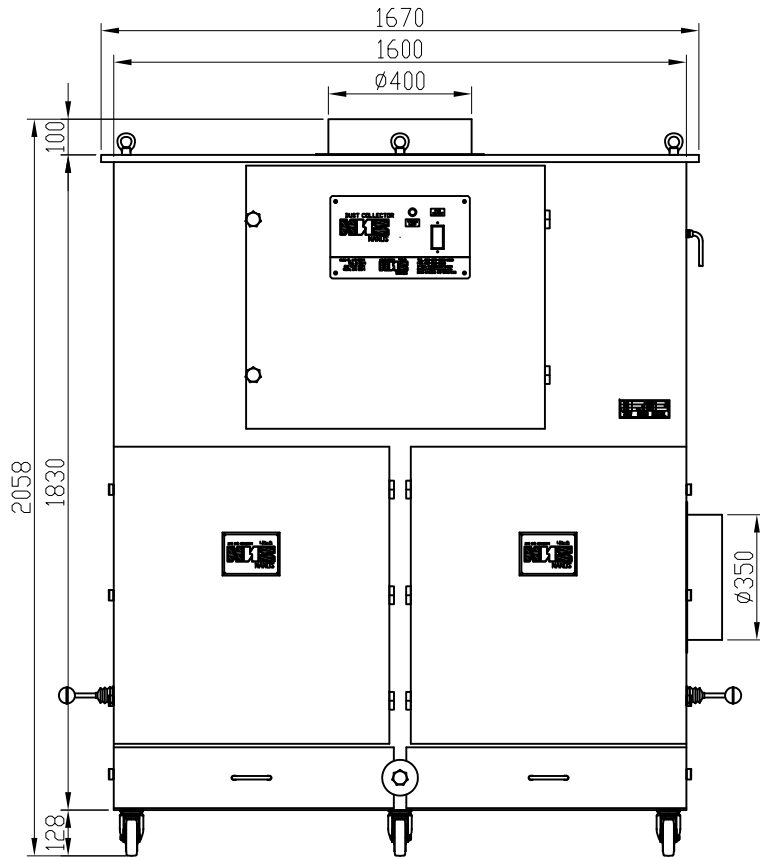
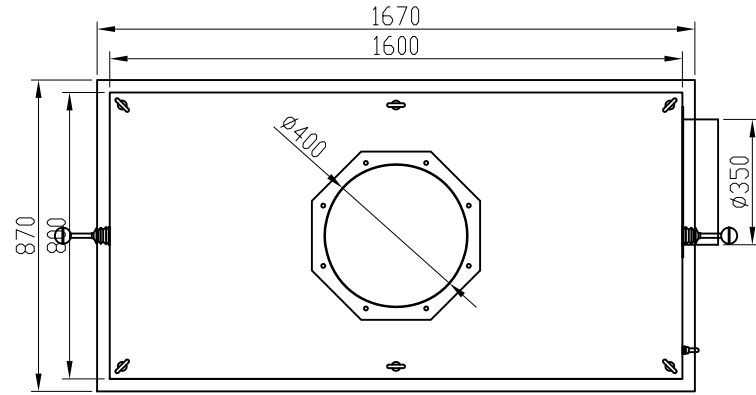
A. ---

SPECIFICATION			
MODEL NAME	NB-75	OPTION	-
FAN SPEC.			
FAN DIVISION	TURBO BLOWER		
AIR VOLUME	80 CMM	STATIC	250 mmAq
MOTOR	5.5 kw [ 7.5 HP ]	POWER	380V x 3P
FILTER SPEC.			
1ST	BAG FILTER	MATERIAL	POLYESTER
	SIZE	630 x 635 x 5P x 6EA	AREA

\*\*\* PAINT COLOR \*\*\*

BODY : EX8816(S) 5Y 7/1  
 DOOR : EX8816-DIC546 1/2

 고객맞춤 대표 장비기 www.nanos.co.kr	SIZE	A3	CUSTOMER	-
	SCALE	1 / 1	TITLE	BAG FILTER DUST COLLECTOR
	DRAWN	APPROVED	NANOS DWG. NO.	NB-75
	DATE	12.09.01		



1	CABINET	1	1600 x 800 x 1830 x 2.3t
2	TURBO BLOWER	1	7.5 kw x 100CMM x 250mmAq
3	BAFFLE PLATE	2	PUNCHING PLATE 1.6t
4	BAG FILTER	8	630 x 635 x 5P
5	OUTLET FLANGE	1	φ400
6	LIFT LUG	6	I-NUT M12
7	CONTROL PANEL	1	CONTROL SWITCH
8	POWER CABLE	1	V.C.T.F CABLE
9	INLET FLANGE	1	φ350
10	SHAKING HANDLE	2	PBI φ40 x M10
11	DUST BOX	1	82 LITER
12	CASTER	6	ROTATION 4' STOPPER

\*\*\* CHECK POINTS \*\*\*

A. ---

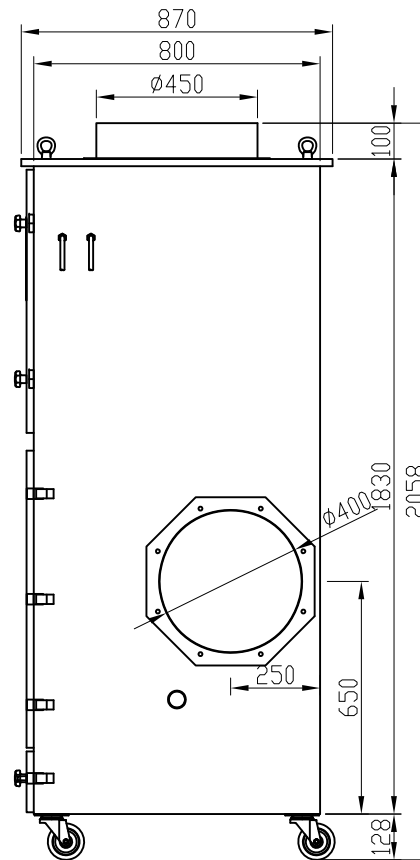
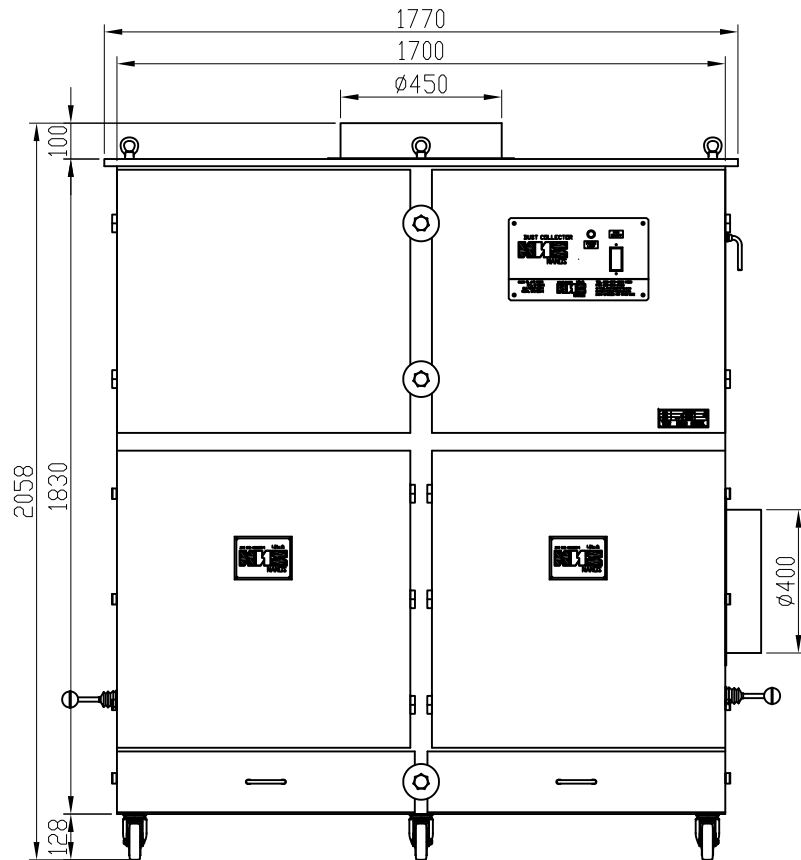
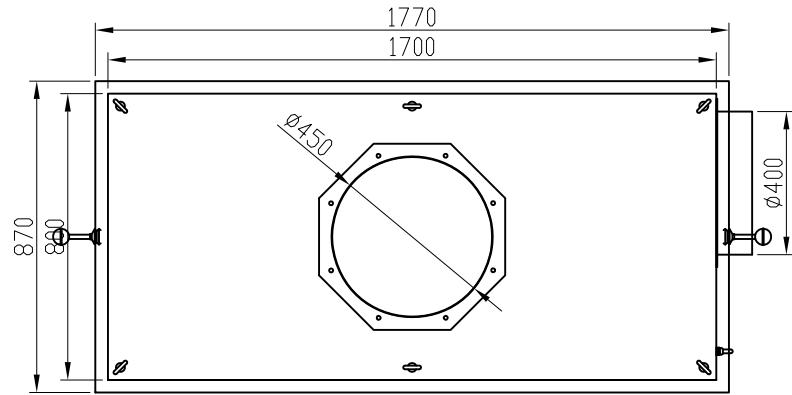
SPECIFICATION			
MODEL NAME	NB-100	OPTION	-
FAN SPEC.			
FAN DIVISION	TURBO BLOWER		
AIR VOLUME	100 CMM	STATIC	250 mmAq
MOTOR	7.5 kw [ 10 HP ]	POWER	380V x 3P
FILTER SPEC.			
1ST	BAG FILTER	MATERIAL	POLYESTER
	SIZE	630 x 635 x 5P x 8EA	AREA

\*\*\* PAINT COLOR \*\*\*

BODY : EX8816(S) 5Y 7/1

DOOR : EX8816-DIC546 1/2

 고객맞춤 대표 장비기 www-nanos.co.kr	SIZE	A3	CUSTOMER	-
	SCALE	1 / 1	TITLE	BAG FILTER DUST COLLECTOR
	DRAWN	APPROVED	NANOS	DWG. NO.
	12.09.01	-	NB-100	



1	CABINET	1	1700 x 800 x 1830 x 2.3t
2	TURBO BLOWER	2	5.5 kw x 80CMM x 250mmAq
3	BAFFLE PLATE	2	PUNCHING PLATE 1.6t
4	BAG FILTER	8	630 x 635 x 6P
5	OUTLET FLANGE	1	φ450
6	LIFT LUG	6	I-NUT M12
7	CONTROL PANEL	1	CONTROL SWITCH
8	POWER CABLE	1	V.C.T.F CABLE
9	INLET FLANGE	1	φ400
10	SHAKING HANDLE	2	PBI φ40 x M10
11	DUST BOX	1	82 LITER
12	CASTER	6	ROTATION 4' STOPPER

\*\*\* CHECK POINTS \*\*\*

A. ---

SPECIFICATION			
MODEL NAME	NB-150	OPTION	-
FAN SPEC.			
FAN DIVISION	TURBO BLOWER		
AIR VOLUME	160 CMM	STATIC	250 mmAq
MOTOR	5.5 kw x 2EA [ 7.5 HP ]	POWER	380V x 3P
FILTER SPEC.			
1ST	BAG FILTER	MATERIAL	POLYESTER
	SIZE	630 x 635 x 6P x 8EA	AREA

\*\*\* PAINT COLOR \*\*\*

BODY : EX8816(S) 5Y 7/1

DOOR : EX8816-DIC546 1/2

 고객맞춤 대표 장비기 www.nanos.co.kr	SIZE	A3	CUSTOMER	-
	SCALE	1 / 1	TITLE	BAG FILTER DUST COLLECTOR
	DRAWN	APPROVED	NANOS DWG. NO.	NB-150
	B.B.M	-		
12.09.01	-			